

Winterhalter UC-M

Depending on the application, the UC machines are available in four different basic versions: glass washer, dish washer, bistro and cutlery washer.

The single button operation is colour coded and has an integrated progress indication. The Winterhalter touch screen display offers **three washing programmes** (cutlery washer only one programme), accompanied by **self explanatory, language neutral symbols**. This guarantees **intuitive, error-free operation**. Furthermore a lot of special programmes such as "Eco" or "Silence" are available within all models, as well as the "F1" programme that allows a customer specific programming.

A large number of technical innovations have enabled Winterhalter to achieve **dishwashing results** of a quality **never seen before**. This has been confirmed in a series of tests conducted by an independent testing institute. Moreover the machine works in the **most economic way**.

Features:

- Multi function touch screen control
- Temperature display
- Records of accumulated operating data
- Fault diagnosis system with error code, error memory and diary
- Hygiene logbook with data memory
- Self cleaning programme
- Time controlled automatic start-up
- Deep-drawn tank with hygienic tank heater
- Drain pump
- Quadruple wash water filtration system with clouding sensor
- VarioPower ware washing system:
Maximum coverage with adjustable water pressure and optimized jets
- Removable, quick release elliptical wash fields
- Double skinned housing & door
- PVC back panel (stainless steel optional)
- Detergent & rinse aid containers
- Detergent & rinse aid dosing device
- Door safety switch
- Under counter or stand mounted



Your benefits are:

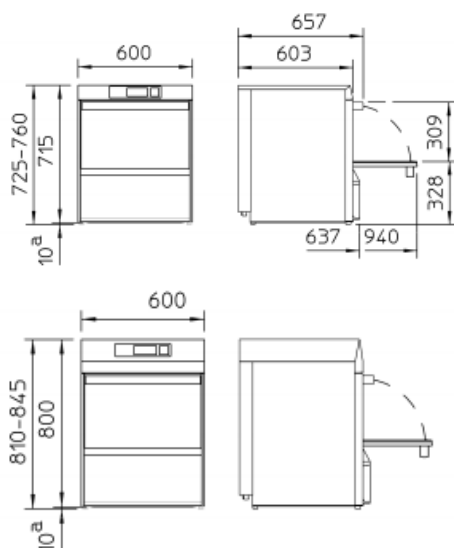
- Best dishwashing results
- Low operating costs
- Easy operation
- Energy efficiency
- Short wash-cycle-time
- Modern and compatible design
- High service friendliness

Options:

- Re-Circulating air heat recovery system Energy (85 mm higher, saves up to 0.1 kWh per cycle)*
- effect model - reduced tank and boiler temperatures (45°C/ 50°C-glass washer; 55°C/ 60°C dish washer)
- Cool model (cold rinse water)
- Integrated softener (up to 30° gTH)
- Suction pipes with level control
- Rack equipment
- Variety of stands and plinths
- Seven different front designs
- Glass door with blue lighting
- Data interface (RS 232 / RS 422)

* only cold water supply

Winterhalter UC-M



Dimensions

Width x depth:	600 x 657 mm
Height:	725 – 760 mm
Height with heat recovery:	810 – 845 mm*
Depth with door open:	940 mm
Rack dimensions:	500 x 500 mm
Clear entry height:	309 mm
Water connection:	G ¾"
Waste water connection:	ø 39.7 mm

General data

Weight Standard (net / gross):	64 / 74 kg
Weight Energy (net / gross):	70 / 80 kg*
Tank capacity:	15.3 l
Circulating pump (depends on selected progr.):	210 l/min
Noise emission (depends on selected progr.):	max. 57 dB(A)
Splash guard:	IPX3 (plastic rear panel) IPX5 (stainless steel r.p.)

Max. theoretical capacity

Glass washer:	77 / 48 / 32 / 22 (racks / h)
Dishwasher:	66 / 40 / 28 / 24 (racks / h)
Bistro dishwasher:	66 / 40 / 32 / 28 (racks / h)
Cutlery dishwasher:	21 / 11 (racks / h)

Glasses / h:	1,232 / 768 / 512 / 352
Plates / h:	1,056 / 640 / 448 / 384

Rinse water consumption (depends on programme)

Glass-, dish- and bistro	
Dishwasher:	2.4 l per rack
Cutlery dishwasher:	3.4 l per rack

Thermal radiation (depends on programme and version)

Latent (3~):	0.2 kW*
Sensitive (3~):	0.6 kW*
Latent (1~):	0.1 kW*
Sensitive (1~):	0.3 kW*

Cycle duration

Glass washer:	47 – 163 sec.
Dishwasher:	54 – 150 sec.
Bistro dishwasher:	54 – 128 sec.
Cutlery dishwasher:	171 – 327 sec.

Water connection

Flow pressure:	1.0 - 6.0 bar
Flow pressure Energy:	1.5 - 6.0 bar*
Flow rate:	at least 4 l/min.*
Flow rate Energy:	at least 3 l/min.*
Water inlet temp.:	max. 60° C
Water inlet temp. effect:	max. 45° C*
Water inlet temp. Energy & Cool:	max. 20° C*

Extraction

Cubic metres / h:	18
Relative humidity:	100 %
Rel. humidity Energy:	75 %*
Temperature:	60° C
Temperature Energy:	35° C*

Marks of conformity

CB, SVGW, WRAS

Weight pressure point per foot

Standard / Energy: 21.5 / 23 kg*

Electrical values

Voltage	Fuse protection	Tank heating	Total connected load	Boiler heating	Circulating pump (P1)	Countries
380 - 415 V / 3N~	16 A	2.0 kW	7.9 kW	5.3 kW	600 W	Worldwide
380 - 415 V / 3N~	10 A	2.0 kW	6.0 kW	5.4 kW	600 W	
220 - 240 V / 1N~	16 A	2.0 kW	3.2 kW	2.6 kW	600 W	
220 - 240 V / 1N~	20 A	2.0 kW	4.2 kW	3.6 kW	600 W	
220 - 240 V / 1N~	13 A	2.0 kW	2.6 kW	1.8 kW	600 W	
220 - 240 V / 1N~	10 A	1.8 kW	1.8 kW	1.2 kW	600 W	
380 - 415 V / 3N~	20 A	2.0 kW	9.7 kW	7.1 kW	600 W	Australia
380 - 415 V / 3N~	15 A	2.0 kW	7.7 kW	7.1 kW	600 W	
220 - 240 V / 1N~	20 A	2.0 kW	4.1 kW	3.5 kW	600 W	
220 - 240 V / 1N~	15 A	2.0 kW	2.9 kW	2.3 kW	600 W	Japan
200 V / 3~	25 A	1.4 kW	6.9 kW	4.9 kW	600 W	
200 V / 2~	20 A	1.4 kW	3.3 kW	2.7 kW	600 W	
230 V / 3~	25 A	1.8 kW	7.3 kW	4.9 kW	600 W	
230 V / 2~	16 A	1.8 kW	3.0 kW	2.4 kW	600 W	Belgium/ Malaysia

* only with Energy version